

SERIES 900/999 ROLLER MILL



ROSKAMP CHAMPION

Your Partner in Productivity

BUILT FOR PERFORMANCE. BUILT TO LAST.

Roskamp's Series 900 and 999 Roller Mills are the ideal machines for a wide variety of grinding applications. The unique design allows for automated or manual roll gap adjustment and feed gate control. Roll tram and uniformity are assured by the robust construction. The 900 and 999 are equipped with chilled iron rolls for long life and smooth operation.

Corrugations and roll speeds are available to match a broad range of applications. Additional benefits include precise control of particle size, no aspiration required, less noise and less frequent maintenance. The mill's solid construction will provide years of dependable service.

- Uniform grinding
- No aspiration required
- Particle size control
- Less maintenance



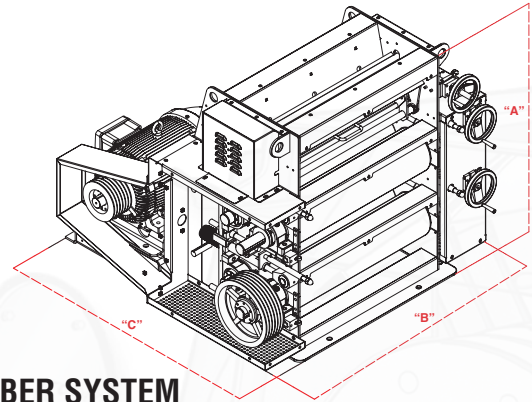
DP900-18

STANDARD FEATURES

- Chilled cast iron rolls
- Single-point handwheel roll adjustment (manual style)
- Alloy steel shafts
- Hopper agitator
- Feed gate adjustment (manual style)
- Heavy-duty bearings
- 3/8" and 11 gauge steel roll housing
- V-belt drive for quiet, efficient operation
- Sample inspection ports
- Operator safety features
- Separate inter-roll drives on each bank of rolls for positive control of differential speeds
- C-flow or Z-flow motor configuration
- Left or right hand drives
- Separate industrial duty adjustable motor platform

OPTIONAL FEATURES

- SP (single pair), DP (double pair) or TP (triple pair)
- Automated feed gate and roll adjustment
- Roll feeder
- Pocket feeder
- Vibratory feeder
- Stationary scalper
- Large pre-hopper
- Heavy-duty permanent magnets that swing out of feeder housing for easy cleaning



MODEL NUMBER SYSTEM

DP-999-36

SP=Single Pair High

DP=Double Pair High

TP=Triple Pair High

Roll Diameter

900=9 inches (229 mm)

Roll Length

12=12 inches (305 mm)

18=18 inches (457 mm)

24=24 inches (610 mm)

30=30 inches (762 mm)

36=36 inches (914 mm)

MODEL	"A" HEIGHT INCHES (MM)	"B" LENGTH INCHES (MM)	"C" DEPTH INCHES (MM)
SP900-12	35 (889)	48.38 (1229)	65.13 (1654)
SP900-18	35 (889)	54.38 (1381)	65.13 (1654)
SP999-24	35 (889)	60.38 (1534)	65.13 (1654)
SP999-30	35 (889)	66.38 (1686)	65.13 (1654)
SP999-36	35 (889)	72.38 (1836)	65.13 (1654)
DP900-12	50 (1270)	48.38 (1229)	65.13 (1654)
DP900-18	50 (1270)	54.38 (1381)	65.13 (1654)
DP999-24	50 (1270)	60.38 (1534)	65.13 (1654)
DP999-30	50 (1270)	66.38 (1686)	65.13 (1654)
DP999-36	50 (1270)	72.38 (1838)	65.13 (1654)
TP900-12	65 (1651)	48.38 (1229)	65.13 (1654)
TP900-18	65 (1651)	54.38 (1381)	65.13 (1654)
TP999-24	65 (1651)	60.38 (1534)	65.13 (1654)
TP999-30	65 (1651)	66.38 (1686)	65.13 (1654)
TP999-36	65 (1651)	72.38 (1838)	65.13 (1654)

*Dimensions subject to change.
Do not use for layout purposes.*



ROSKAMP CHAMPION

Your Partner in Productivity

California Pellet Mill Co.
1114 E. Wabash Avenue
Crawfordsville, IN 47933-USA
765-362-2600 Phone
765-362-7551 Fax
800-428-0846 Toll-Free

Roskamp Champion
2975 Airline Circle
Waterloo, IA 50703-USA
319-232-8444 Phone
319-236-0481 Fax
800-366-2563 Toll-Free

CPM/Europe BV
Rijder 2
1507 DN Zaandam
The Netherlands
31 (0)75 6512 611 Phone
31 (0)75 6512 600 Fax

CPM/Pacific Private Ltd.
21 Gul Drive
Singapore 629470
Republic of Singapore
65 6 265 07 01 Phone
65 6 268 64 28 Fax

WWW.CPM.NET

[@CPMRoskamp](https://twitter.com/CPMRoskamp)

[in CPM Roskamp Champion](https://www.linkedin.com/company/cpm-roskamp-champion)

Sales@CPMRoskamp.com